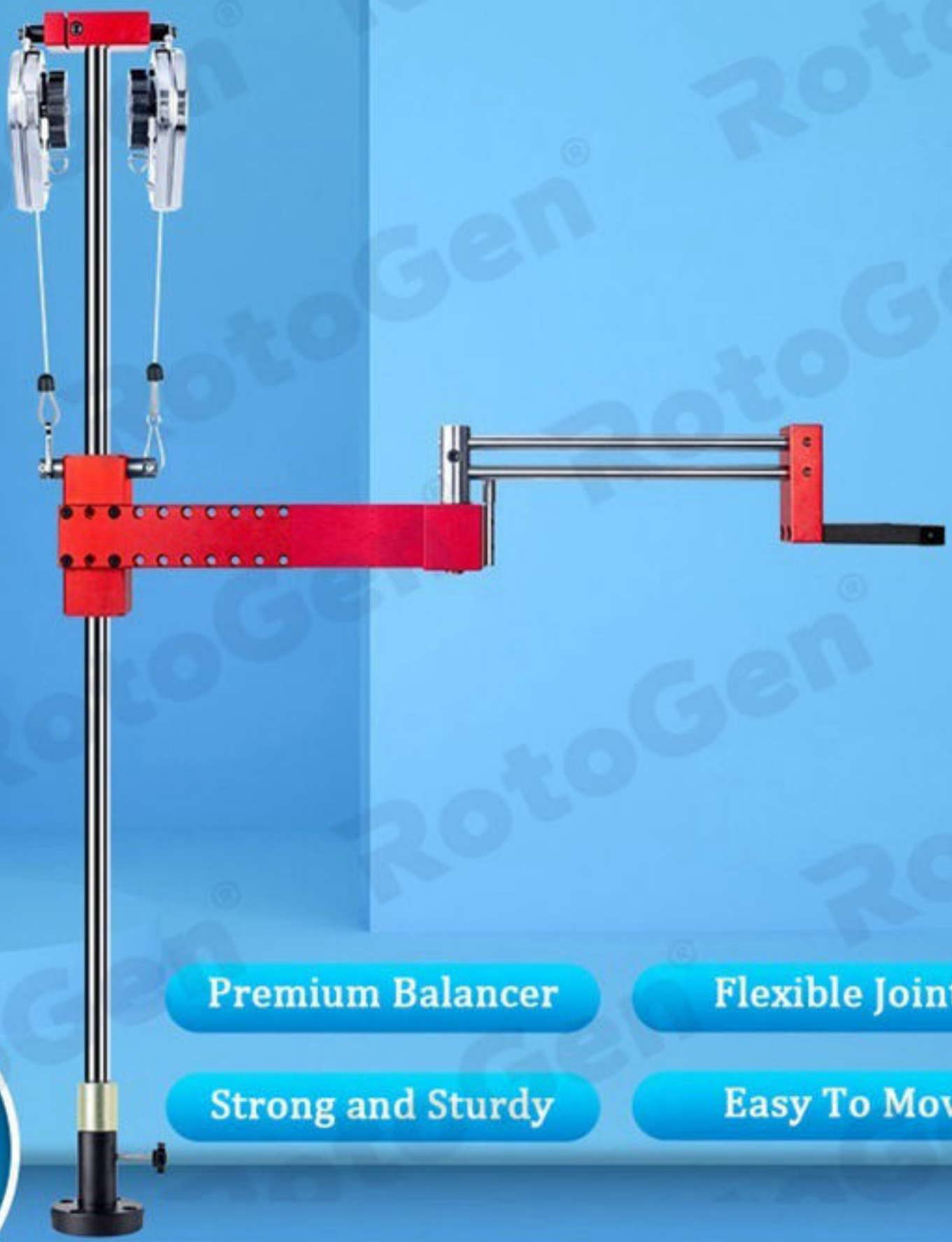


TORQUE REACTION ARM

Simple to use/Labor saving



Premium Balancer

Flexible Joints

Strong and Sturdy

Easy To Move



PRODUCT ADVANTAGES



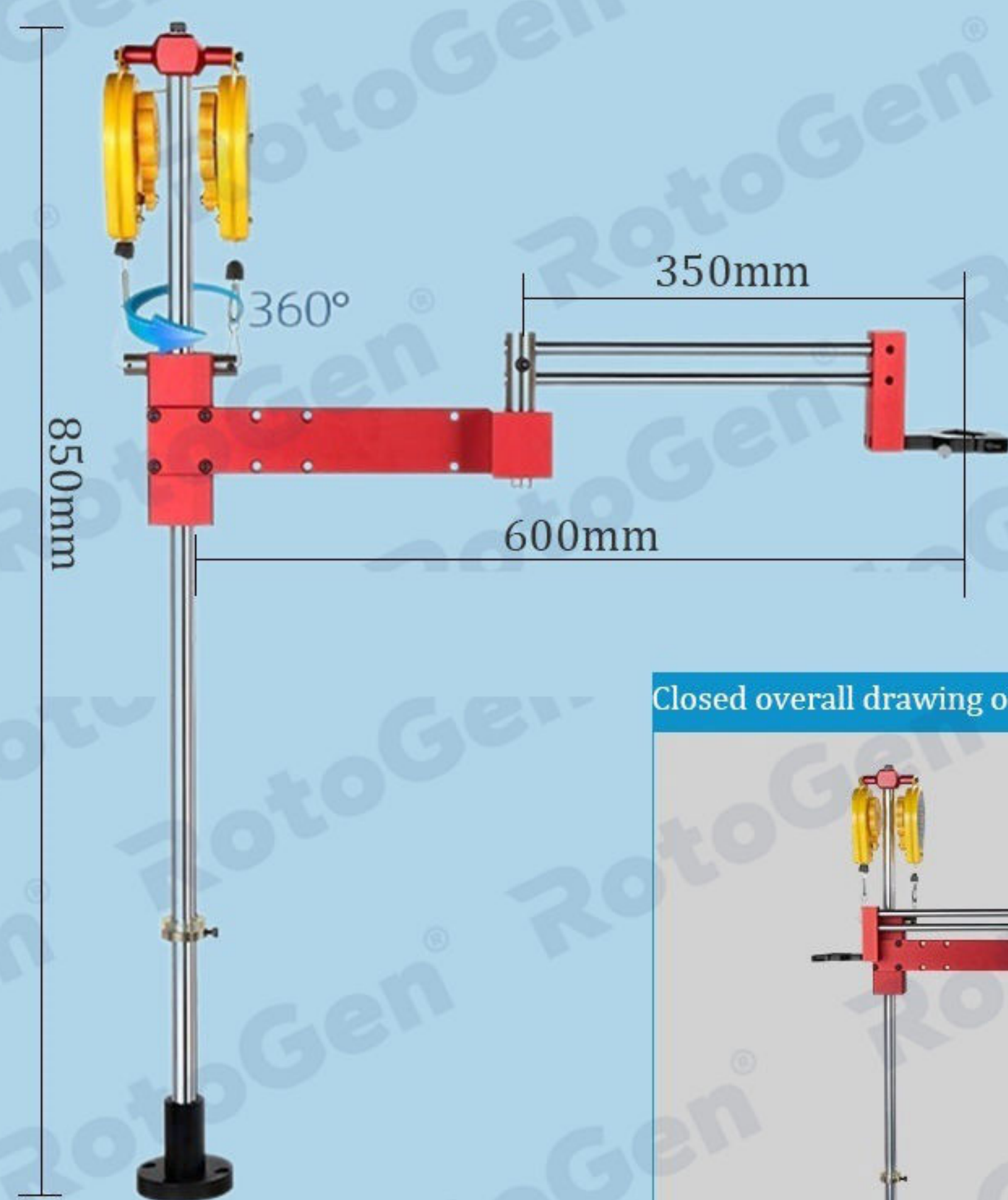
1.Can rotate 360 degrees

2.Can slide up and down

3.Can keep 90 degrees vertical

PRODUCT PARAMETERS

Name	Torque Reaction Arm
Brand	RotoGen
Model	RG-ZJ08
Material	Aluminum alloy & Steel
Working radius	100-600mm



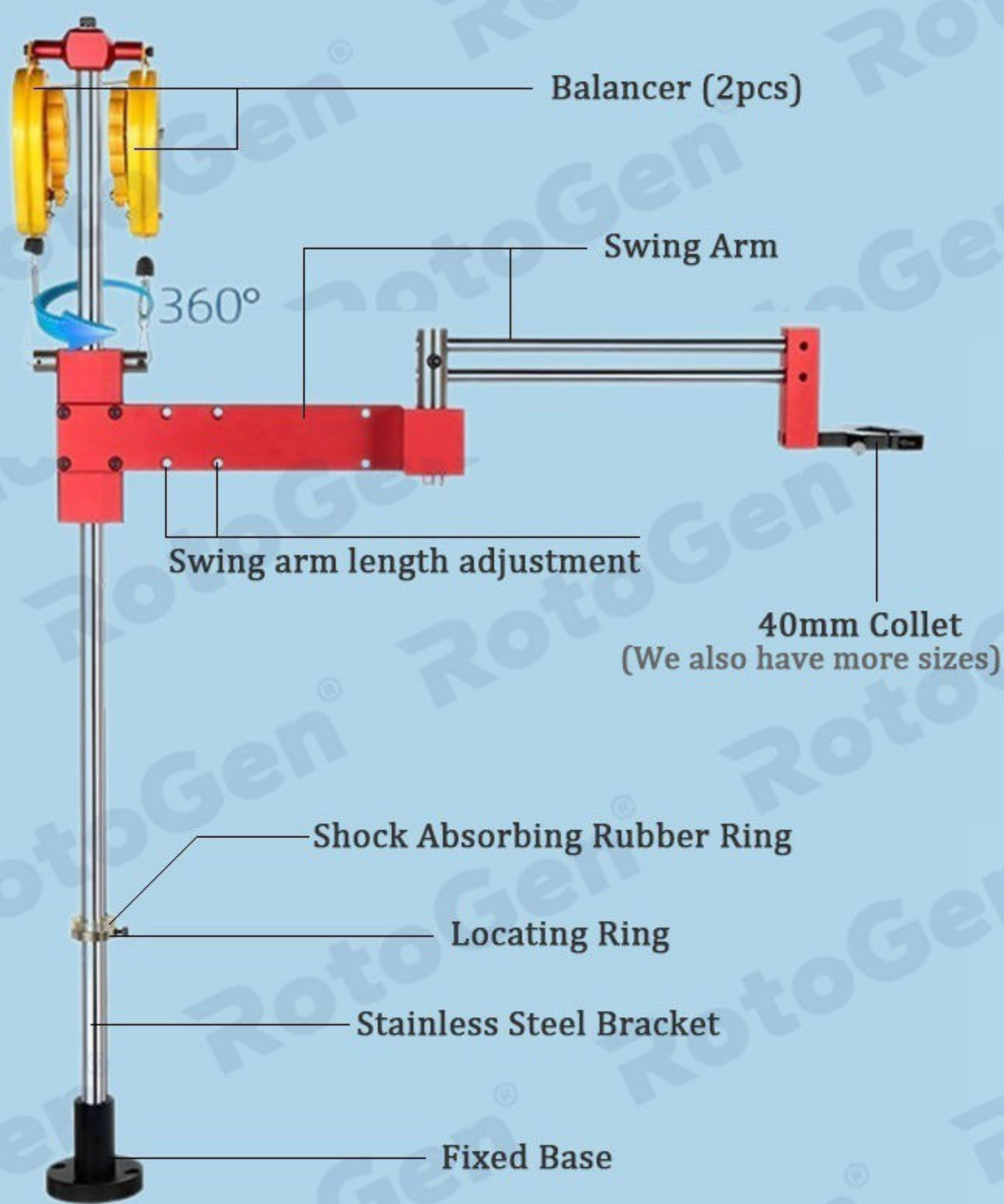
Closed overall drawing of the arm



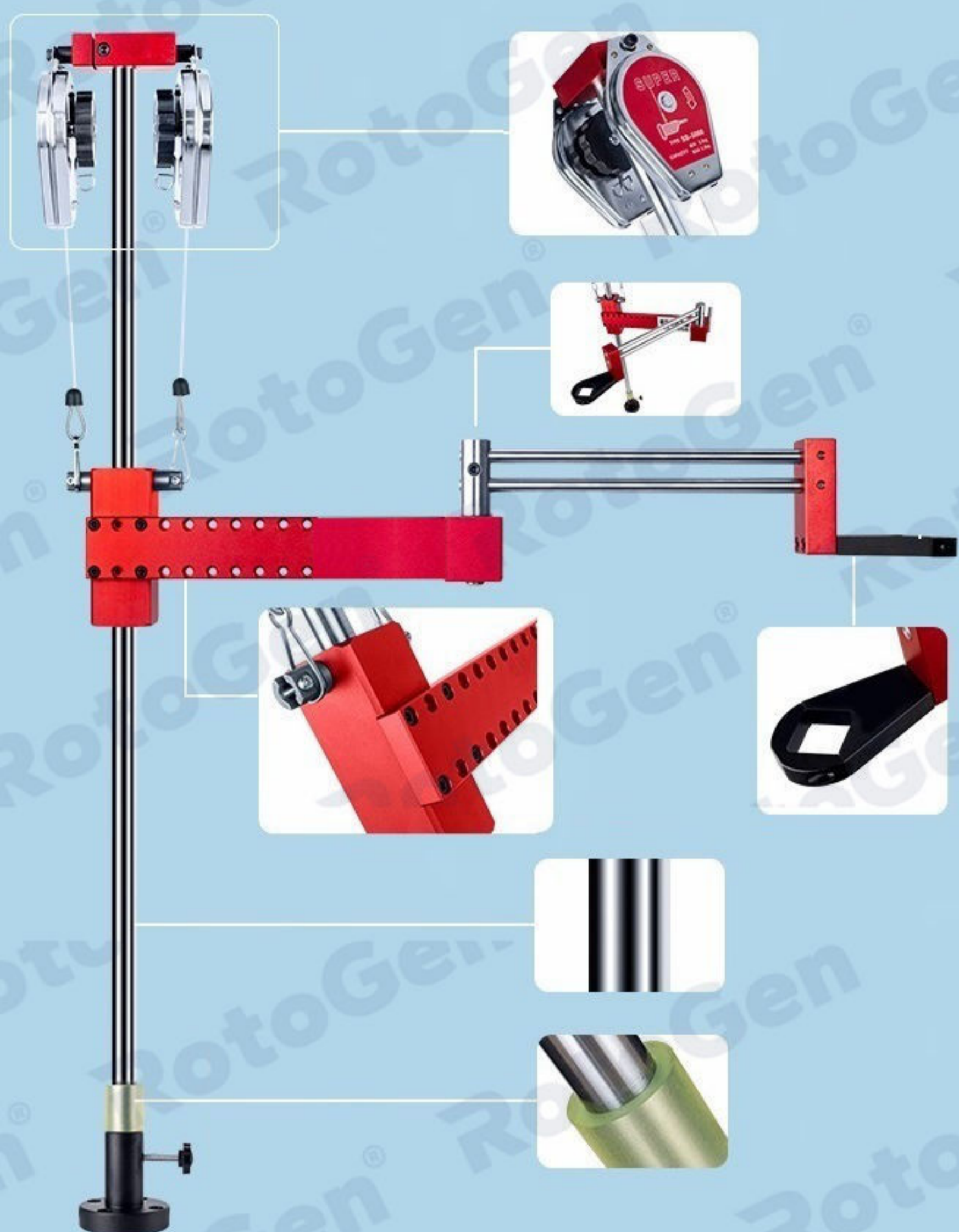
(For customization please contact us)

PRODUCT STRUCTURE

PRODUCT STRUCTURE



DETAILS



The maximum load-bearing capacity is 5KG, and the tension can be adjusted according to demand.

It can rotate 360 degrees, the length of the swing arm is adjustable, and the operation is flexible.

The maximum working radius reaches 600mm, which can meet most needs.

Different collets can be selected according to needs. (Standard configuration is 40mm)

PRODUCT FEATURES

1

The electric batch bracket uses the energy accumulated by the spring to make the suspended operating tool in a weightless state, making screwing work easier.

2

The operation is simple and fast, eliminating the fatigue of the operator holding the screwdriver, and greatly improving the work efficiency.

3

Vertical operation is allowed up and down, so that the electric screwdriver and the nut are always kept vertical at 90° and locked in the same straight line.

4

For electric and pneumatic screwdrivers with large torque, it can be firmly fixed to avoid accidents caused by the operator's insufficient hand-holding force.

5

It can withstand high loads, has a solid structure, and maintains high-precision operation under continuous operation.

OPTIONAL ACCESSORIES



30mm



40mm



45mm



50mm

U-clip



75mm



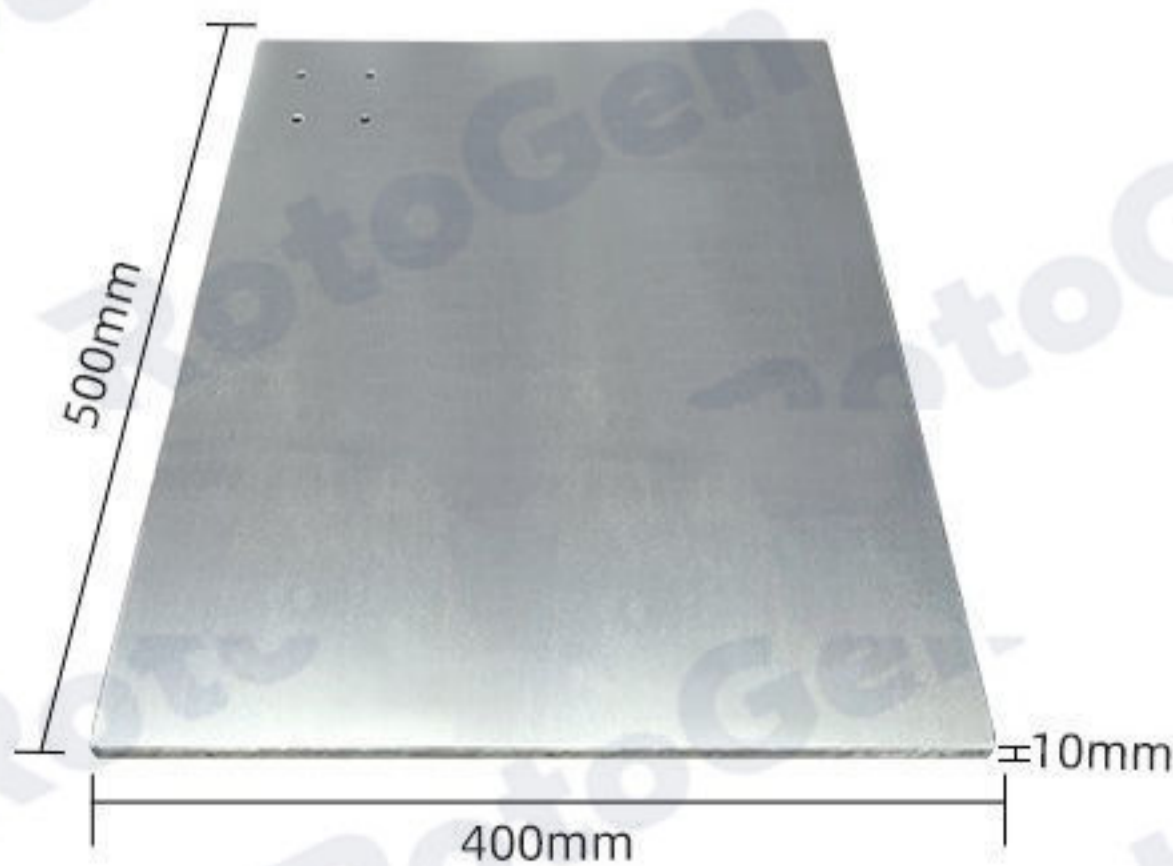
Use effect display

How to use the U-clip:

There is no need to drill holes on the worktable, just clamp him on the workbench within 75mm in thickness, and the torque reaction arm can be used.

If you need it, please contact us to buy it.

Floor Bracket



The torque reaction arm can be moved freely for operation.

If you need it, please contact us to buy it.



